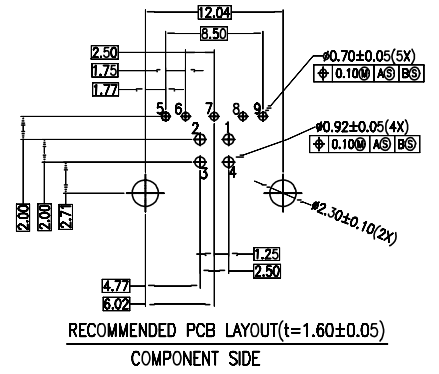
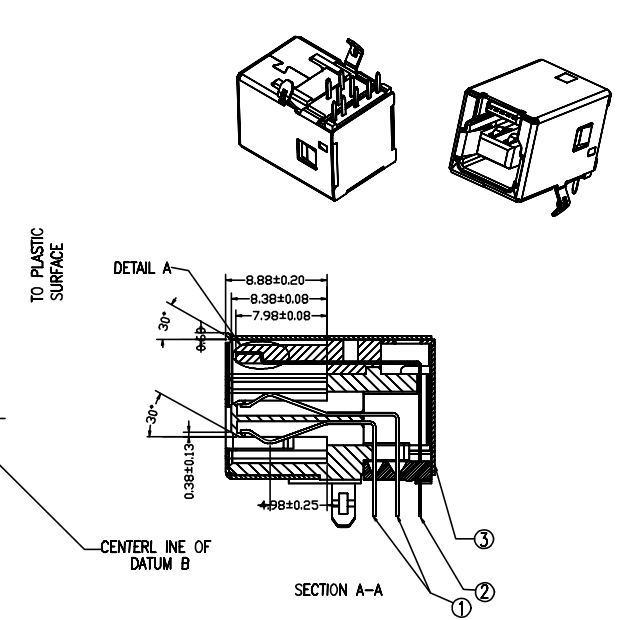
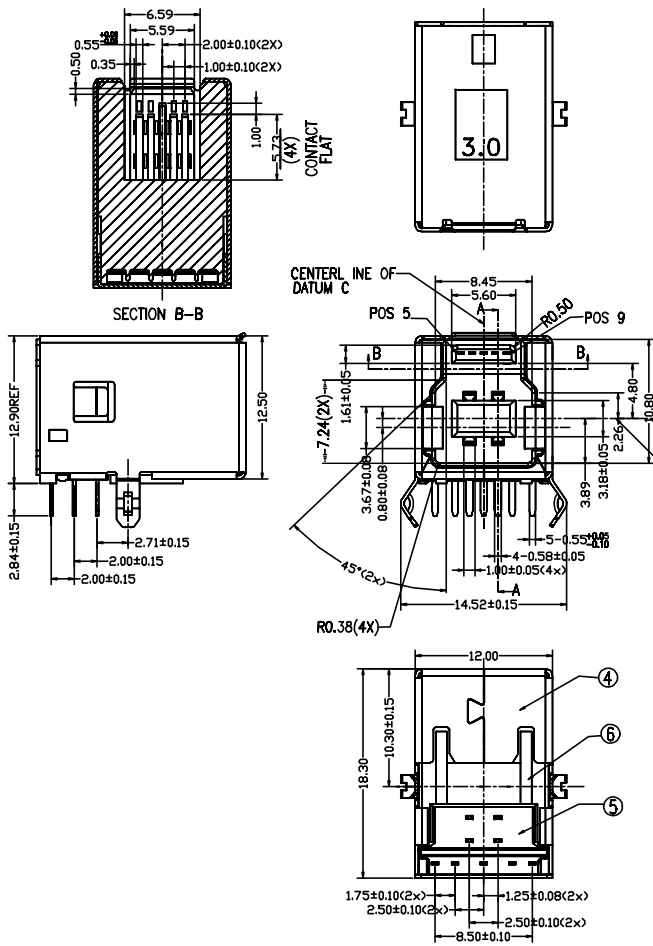


REV.	DESCRIPTION	DWG		APPROVED	
		NAME	DATE	NAME	DATE
X01	PROTOTYPE	penny	06/23/2009	knight	06/23/2009


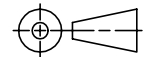
- ▲ X01
- Functionally dim.
- ◆ Assembly dim.
- Control dim.



**NOTE:**  
 Plated:  
 shell: over plating Ni 30u"  
 cover shell: over plating Ni 80u"  
 5p terminal: under plating Ni 30u", solder area Sn 120u", Au plating on contact area  
 4p terminal: under plating Ni 30u", solder area Sn 120u", Au plating on contact area

⑥	housing	PBT30%GFUL94V-0	PC	1
⑤	cover	PBT30%GFUL94V-0	PC	1
④	shell	brass t=0.3	PC	1
③	cover shell	spcc t=0.3	PC	1
②	terminal	brass t=0.2	PC	4
①	terminal	phosphor bronzet=0.25	PC	5
ITEM	P/N REQ'D	DESCRIPTION	UNIT	Q'TY

Approval Signature

INTENDED USE: ACT	 <b>Advanced Connection Technology</b> TAIWAN TEL: 886-2-88091060	
GENERAL DIMENSION	TITLE: USB 3.0 9PINS B TYPE FEMALE	
ANGLE±3°	DWG NO: 301-09122-00 X01 REV.	
X.X±0.3	UNIT: mm SCALE: NONE SHEET 1 OF 1	
	DRAWN: penny CHECKED: coco APPROVED: knight	06/23/2009 06/23/2009 06/23/2009
	NAME	DATE